



**Safety Practices:**

Inspect scaffold daily or before each use.

Do not exert horizontal force from on top of a free-standing scaffold.

Do not use boxes, ladders, or other means to increase working heights.

Do not stand or sit on guard rails.

Do not use bricks, boxes, concrete blocks, or any other unstable objects under scaffold leg.

NEVER ride a moving scaffold.

Do not move scaffold by applying a pulling or pushing force at or near the top.

Do not use personnel brackets (side brackets) on a Rolling Scaffold.

When hoisting material or using side brackets, scaffold must be restrained from tipping by guying, tying to a permanent structure or other acceptable means.

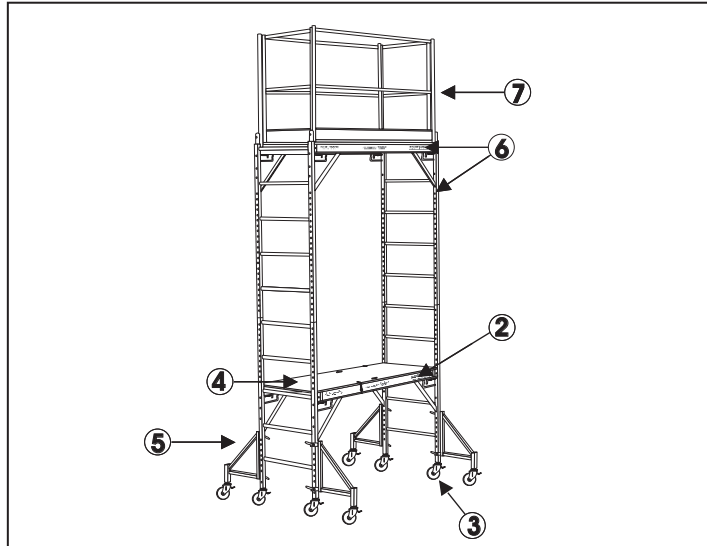
Restrict loading to safe working load of 1000 lbs. evenly distributed.

Two people or more are recommended to erect scaffold.

Use caution. Keep scaffold away from all electrical hazards.

Wear hard hat and safety glasses when required.

**Operation & Safety**  
**Instructions For Erecting All Purpose/drywall scaffold**



Step	Action
1	Before starting scaffold erection, check all parts for damage making sure that they are in proper working order. Any part that does not look to be in good working condition or is damaged in any way should not be used.
2	Attach (2) platform trusses to (2) ladder frames. Be sure spring activated locking pin is completely inserted into hole of ladder frame. All (4) locking pins should be in locked position on ladder frames.
3	Insert (4) casters into bottom of ladder frames, secure with locking pins. Be sure to set brake on casters to proceed.
4	Install scaffold platform onto top of the (2) platform trusses. Move the (2) spring activated safety clips located on platform truss and positioned over edge of platform.
5	(4) Outriggers are needed when adding additional height to scaffold. Insert caster into outrigger leg with locking pin. Attach outrigger to scaffold frame and tighten clamp firmly.

*More on reverse*

# All Purpose / Drywall Scaffold

## Questions or Problems ?

Contact us at: (785) 625-7510

## Need More Information?

The instructions on this sheet are abbreviated instructions only and are provided solely as a customer service. If additional information is needed please contact us at the above phone number.

## Instruction Steps Continued For Erecting All Purpose / Drywall Scaffold

Step	Action
6	Adding Scaffold Height – Complete <i>step (5)</i> first, attaching outriggers before adding additional height. Add additional ladder frames by installing bottom of additional ladder frames into insert pins at the top of ladder frames erected in <i>step (2)</i> and secure with locking pins. Then apply (2) platform trusses to additional scaffold frames, installation of trusses also explained in <i>step (2)</i> . Add additional scaffold platform to the newly added trusses and repeat <i>step (4)</i> .
7	After reaching desired height Install Guard Rail Panel System by installing tapered tube end into holes provided on top of platform trusses and secure with toggle pins. Be sure to install guard panel system so that access gates swing in toward scaffold platform.

