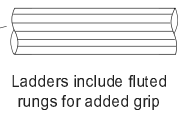
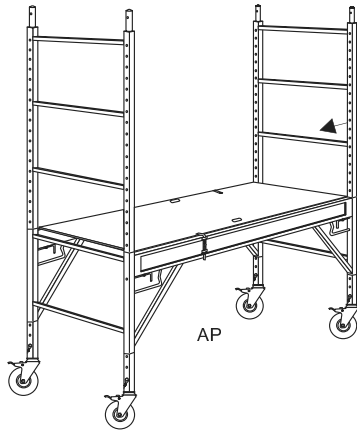




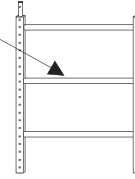
A-I SCAFFOLD MFG., INC.

590 Commerce Parkway | Hays, KS 67601
 Ph 785.621.5121 | Fax 785.621.5122
 www.a1scaffoldmfg.com

UTILITY SCAFFOLD



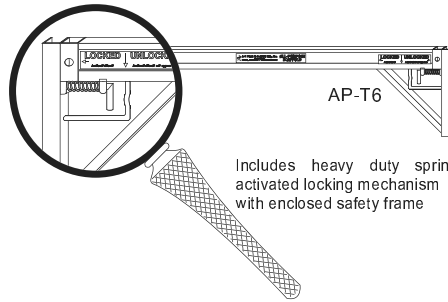
Ladders include fluted rungs for added grip



AP-L39

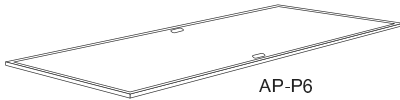


AP-L65

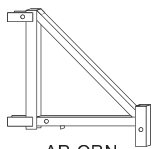


AP-T6

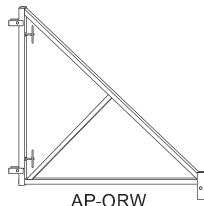
Includes heavy duty spring activated locking mechanism with enclosed safety frame



AP-P6



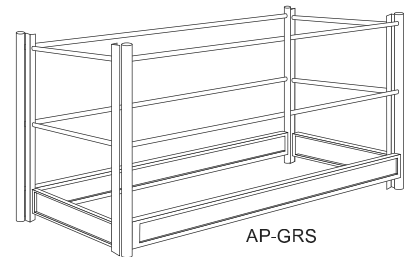
AP-ORN



AP-ORW



AP-C5



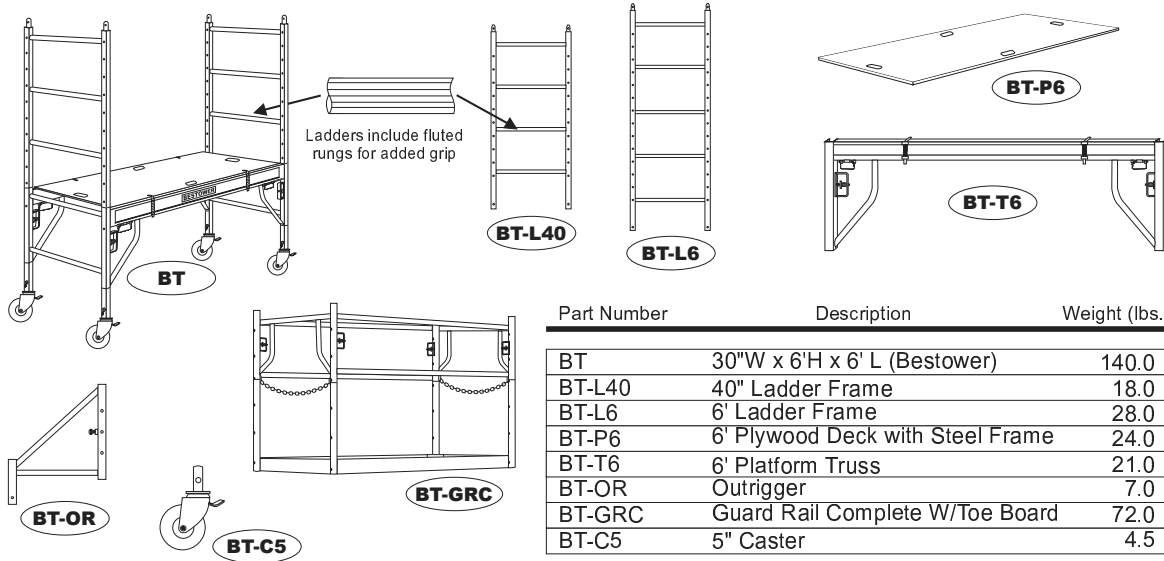
AP-GRS

Part Number	Description	Weight (lbs.)
AP	All-Purpose Scaffold Tower	185.0
AP-L39	39" Ladder Frame	18.0
AP-L65	65" Ladder Frame	30.0
AP-P6	6' Plywood Deck with Steel Frame	24.0
AP-T6	6' Platform Truss	30.0
AP-ORN	Narrow Outrigger - 18"	12.0
AP-ORW	Wide Outrigger - 48"	30.0
AP-GRS	Guard Rail Set	94.0
AP-C5	5" Caster with Lock	5.0

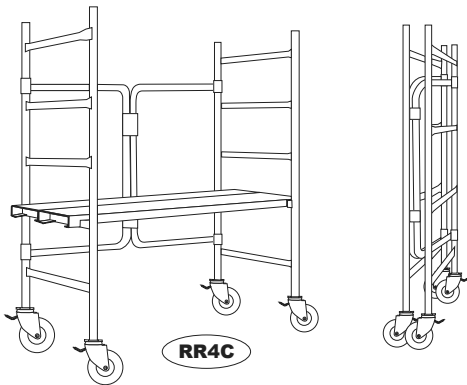
Features of All Purpose and Bestower

- Stackable
- Rolls through 30" doorways with ease
- Made with high strength steel tubing
- Fully Adjustable
- One man set up
- Each caster has 250 lb. weight capacity (1000 lbs. total, evenly distributed on unit)

Bestower



Ready Roll Compact



- Steel plank comes w/non-skid powder coat finish.
- Great for drywall applications, wallpapering, painting and many other uses, both interior and exterior.
- Folds for easy transportation, and storage.
- A must for all home owners.

Part Number	Description	Weight (lbs.)
RR4C	4' Ready Roll Compact (includes 2 steel planks)	82.0

Ready Roll

Part Number	Description	Weight (lbs.)
RR4	4' Ready Roll	56.0
RR6	6' Ready Roll	87.0

