



A-1 SCAFFOLD MFG., INC.

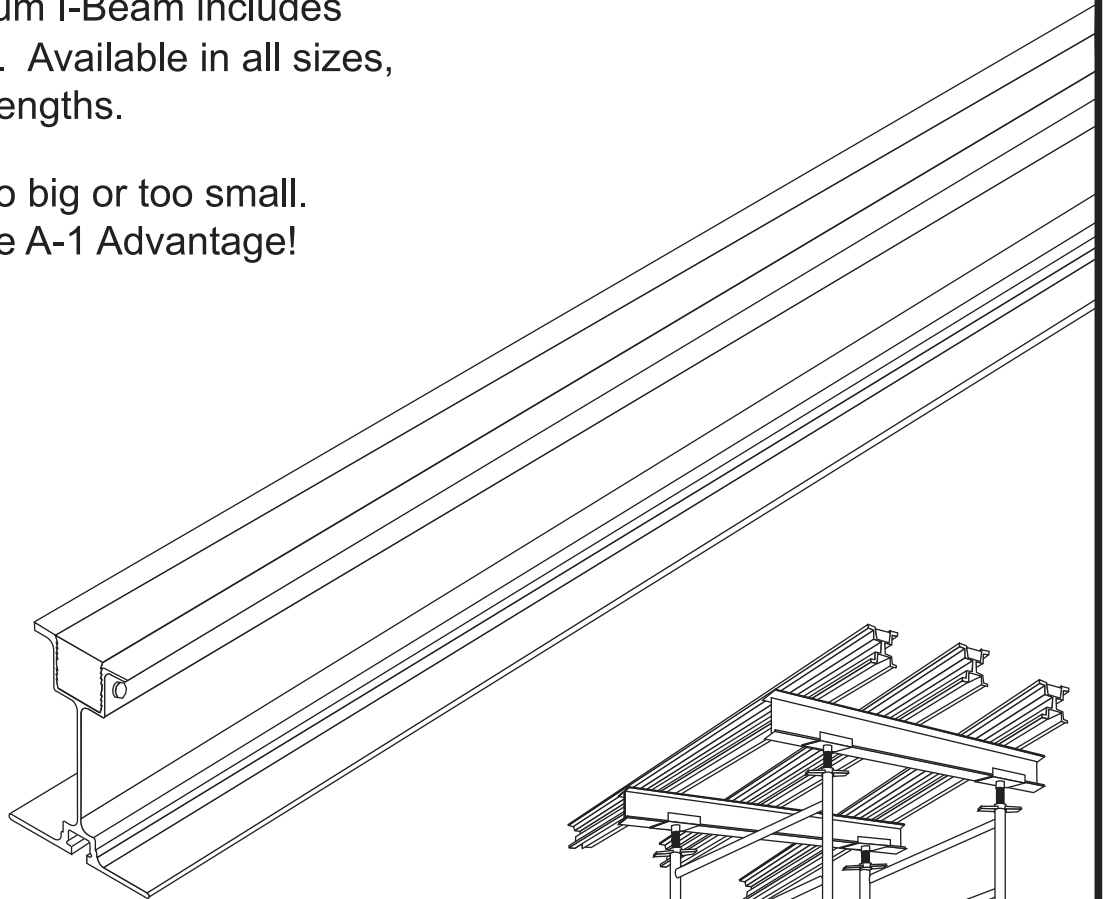
590 Commerce Parkway | Hays, KS 67601
Ph 785.621.5121 | Fax 785.621.5122
www.a1scaffoldmfg.com

ALL ALUMINUM I-BEAM

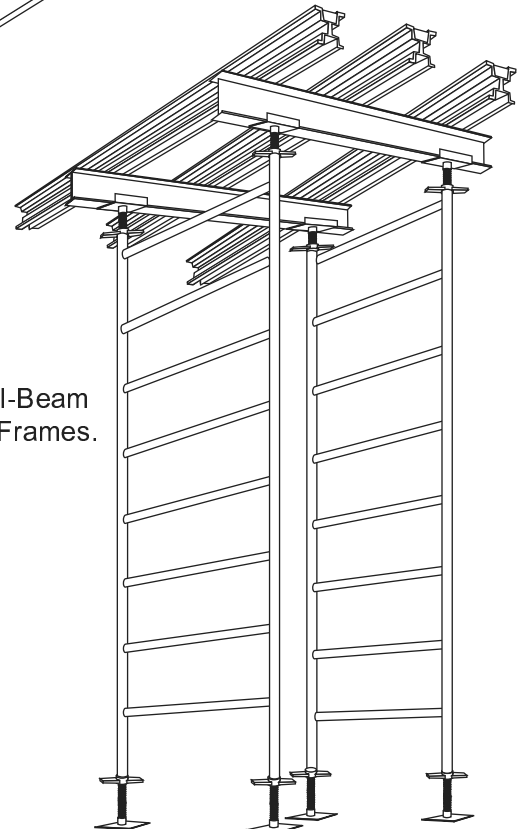


A-1 Aluminum I-Beam includes wood nailer. Available in all sizes, styles and lengths.

No job is too big or too small.
Discover the A-1 Advantage!



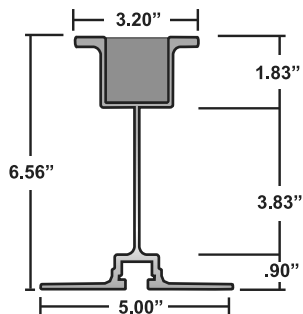
Pair up your aluminum I-Beam
with A-1's 10k Shoring Frames.



6" Aluminum I Beam

Physical Specifications

Overall Height	6.50 in.
Base Width	5.00 in.
Width Inverted Top Flat Section	3.20 in.
Cross Sectional Area (w/o nailer)	2.67 in.
Nominal Weight (w/o nailer)	3.236 lb./ft.
Nominal Weight (w/nailer)	4.056 lb./ft.



Standard Lengths

Part Number	Length	Weight lbs.
AIB6	6'	24.0
AIB8	8'	32.0
AIB10	10'	40.0
AIB106	10' 6"	42.4
AIB12	12'	48.0
AIB14	14'	56.0
AIB16	16'	64.0
AIB18	18'	72.0
AIB21	21'	84.0
AIB24	24'	96.0

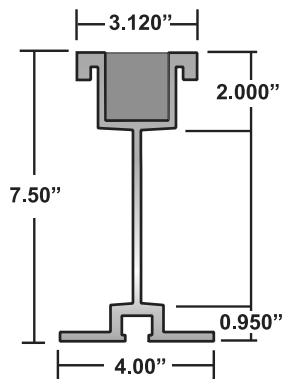
Load Ratings At Given Spans

Span (ft.)	Deflection (in.)	Load (lbs./ft.)
4' 0"	0.13	3080
4' 6"	0.15	2740
5' 0"	0.17	2020
5' 6"	0.18	1510
6' 0"	0.20	1160
6' 6"	0.22	920
7' 0"	0.23	730
7' 6"	0.25	595
8' 0"	0.27	490
8' 6"	0.28	405
9' 0"	0.30	345
9' 6"	0.32	295
10' 0"	0.33	250

7" Aluminum Stringer Beam

Physical Specifications

Overall Height	7.50 in.
Base Width	4.00 in.
Width Inverted Top Flat Section	3.12 in.
Cross Sectional Area (w/o nailer)	2.27 in.
Nominal Weight (w/o nailer)	5.15 lb./ft.
Nominal Weight (w/nailer)	5.50 lb./ft.



Standard Lengths

Part Number	Length	Weight lbs.
ASB6	6'	33.0
ASB8	8'	44.0
ASB10	10'	55.0
ASB106	10' 6"	58.3
ASB12	12'	66.0
ASB14	14'	77.0
ASB16	16'	88.0
ASB18	18'	99.0
ASB21	21'	115.5
ASB24	24'	132.0

Load Ratings At Given Spans

Span (ft.)	Deflection (in.)	Load (lbs./ft.)
4' 0"	0.13	4050
4' 6"	0.15	3600
5' 0"	0.17	3240
5' 6"	0.18	2950
6' 0"	0.20	2333
6' 6"	0.22	1840
7' 0"	0.23	1465
7' 6"	0.25	1195
8' 0"	0.27	990
8' 6"	0.28	810
9' 0"	0.30	690
9' 6"	0.32	590
10' 0"	0.33	490

Part Number	Description	Weight
AIBC	Alum I-beam Clamp	.5

