



A-1 SCAFFOLD MFG., INC.

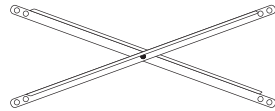
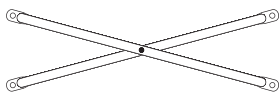
590 Commerce Parkway | Hays, KS 67601
 Ph 785.621.5121 | Fax 785.621.5122
 www.a1scaffoldingmfg.com

ACCESSORIES



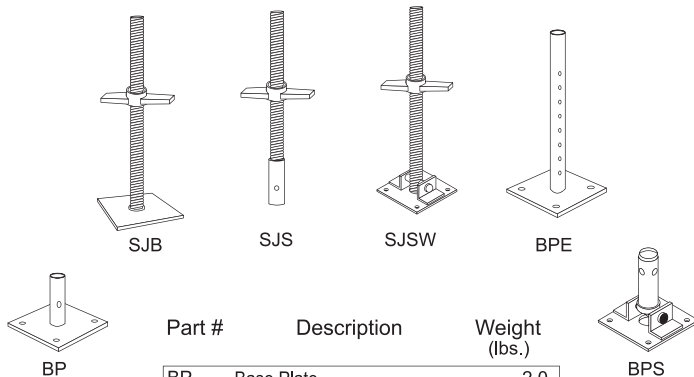
Cross Braces - Straddle Braces & Rails

*suffix part # with AI for Angle Iron Cross Braces



Part #	Description	Weight (lbs.)	Part #	Description	Weight (lbs.)	Part #	Description	Weight (lbs.)
B41	4' x 1' Cross Brace	6.0	B51	5' x 1' Cross Brace	7.0	B61	6' x 1' Cross Brace	8.5
B418	4' x 18" Cross Brace	6.0	B518	5' x 18" Cross Brace	7.0	B618	6' x 18" Cross Brace	8.5
B42	4' x 2' Cross Brace	7.0	B52	5' x 2' Cross Brace	8.0	B62	6' x 2' Cross Brace	9.0
B427	4' x 27 3/4" Cross Brace	8.0	B527	5' x 27 3/4" Cross Brace	9.25	B627	6' x 27 3/4" Cross Brace	9.5
B43	4' x 3' Cross Brace	9.0	B53	5' x 3' Cross Brace	9.5	B63	6' x 3' Cross Brace	9.75
B442	4' x 42" Cross Brace	10.0	B542	5' x 42" Cross Brace	10.0	B642	6' x 42" Cross Brace	10.0
B445	4' x 45" Cross Brace	10.0	B545	5' x 45" Cross Brace	10.0	B645	6' x 45" Cross Brace	10.25
B44	4' x 4' Cross Brace	10.0	B54	5' x 4' Cross Brace	10.0	B64	6' x 4' Cross Brace	10.25
B434	4' x 3' x 4' Cross Brace	10.0	B534	5' x 3' x 4' Cross B race	10.0	B634	6' x 3' x 4' Cross Brace	10.25
B71	7' x 1' Cross Brace	11.0	B81	8' x 1' Cross Brace	13.5	B101	10' x 1' Cross Brace	16.0
B718	7' x 18" Cross Brace	11.0	B818	8' x 18" Cross Brace	13.5	B1018	10' x 18" Cross Brace	16.0
B72	7' x 2' Cross Brace	11.5	B82	8' x 2' Cross Brace	13.5	B102	10' x 2' Cross Brace	16.0
B727	7' x 27 3/4" Cross Brace	12.0	B827	8' x 27 3/4" Cross Brace	13.5	B1027	10' x 27 3/4" Cross Brace	16.5
B73	7' x 3' Cross Brace	12.0	B83	8' x 3' Cross Brace	14.0	B103	10' x 3' Cross Brace	16.5
B742	7' x 42" Cross Brace	12.0	B842	8' x 42" Cross Brace	14.0	B1042	10' x 42" Cross Brace	16.5
B745	7' x 45" Cross Brace	12.0	B845	8' x 45" Cross Brace	14.0	B1045	10' x 45" Cross Brace	16.5
B74	7' x 4' Cross Brace	12.25	B84	8' x 4' Cross Brace	14.5	B104	10' x 4' Cross Brace	16.5
B734	7' x 3' x 4' Cross Brace	12.25	B834	8' x 3' x 4' Cross Brace	14.5	B1034	10' x 3' x 4' Cross Brace	16.5
B7627	7'6" x 27 3/4" Cross Brace	12.50						
STB727	7' x 27 3/4" Straddle Brace	15.0	R3	3' Guard Rail	3.0	R7	7' Guard Rail	5.25
STB74	7' x 4' Straddle Brace	15.0	R4	4' Guard Rail	3.25	R8	8' Guard Rail	6.0
STB1027	10' x 27 3/4" Straddle Brace	19.0	R5	5' Guard Rail	4.0	R10	10' Guard Rail	9.6
STB104	10' x 4' Straddle Brace	19.0	R6	6' Guard Rail	5.0			

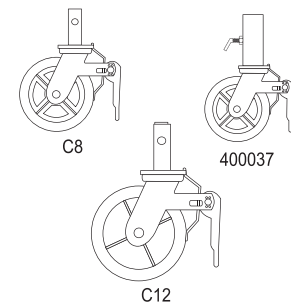
Base Plates & Screw Jacks



Part #	Description	Weight (lbs.)
BP	Base Plate	2.0
BPS	Swivel Base Plate	5.0
BPE	Extension Base Plate	2.5
SJB	Screw Jack w/Base Plate	12.0
SJS	Screw Jack w/Socket	12.0
SJSW	Screw Jack w/Swivel	15.0
SJU	Screw Jack w/U-Head	15.0
UH	U-Head	3.5
SJBJ	Screw Jack w/Base Plate - Jr.	9.5
SJSJ	Screw Jack w/Socket - Jr.	9.5

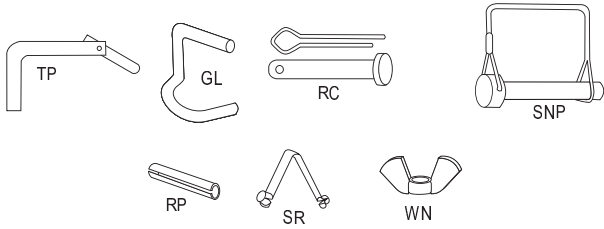
(for 1 1/4" suffix item with #5)

Casters



Part #	Description	Weight (lbs.)
C8	8" Caster (1 3/8" stem)	12.5
C85	8" Caster (1 1/4" stem)	12.5
C12	12" Caster (1 3/8" stem)	25.0
C8PR	8" Caster Plate (rigid)	12.0
C8PS	8" Caster Plate (swivel)	12.0
400037	TubeLock Caster	18.0

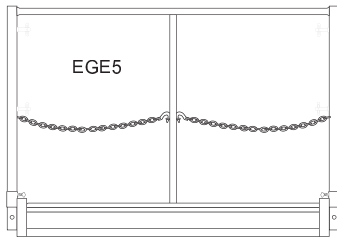
LOCKING PINS



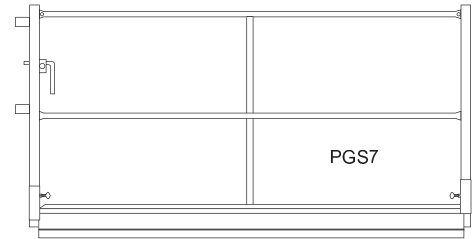
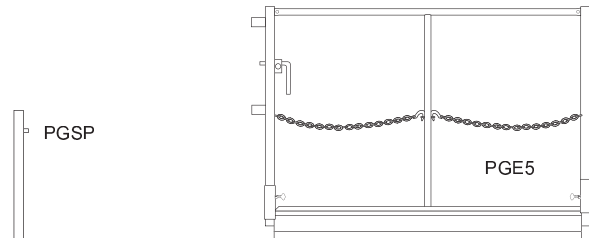
Part Number	Description	Weight (lbs.)
TP	Toggle Pin	.125
GL	Gravity Lock	.250
RC	Rivet & Cotter Pin	.10
SNP	Snap Pin	.125
RP	Roll Pin	.125
SR	Spring Retainer	.0304
WN	Wing Nut	.125

GUARD RAIL SYSTEMS

EG System

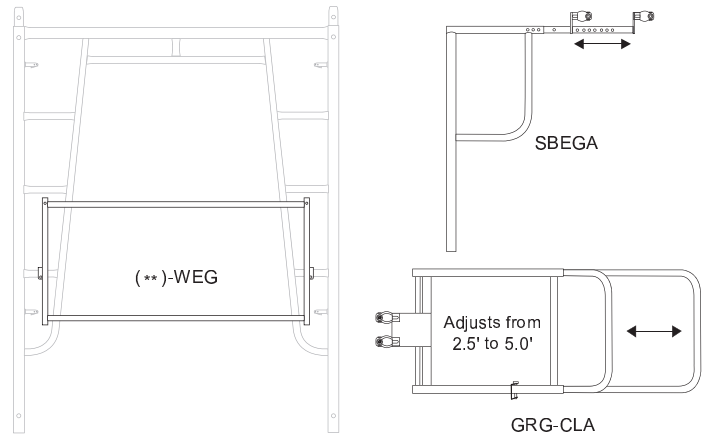


PG System



Part Number	EG System Description	Weight (lbs.)
EGGRP	Starter Post	5.0
EGE28	28" End Access Panel	14.0
EGE3	3' End Access Panel	17.0
EGE4	4' End Access Panel	21.0
EGE5	5' End Access Panel	23.0
EGS7	7' Side Panel	19.0
EGS76	7' 6" Side Panel	21.0
EGS8	8' Side Panel	23.0
EGS10	10' Side Panel	27.0
EGTB7	7' Steel Toe Board	9.0
EGTB76	7' 6" Steel Toe Board	10.0
EGTB8	8' Steel Toe Board	11.0
EGTB10	10 Steel Toe Board	12.0

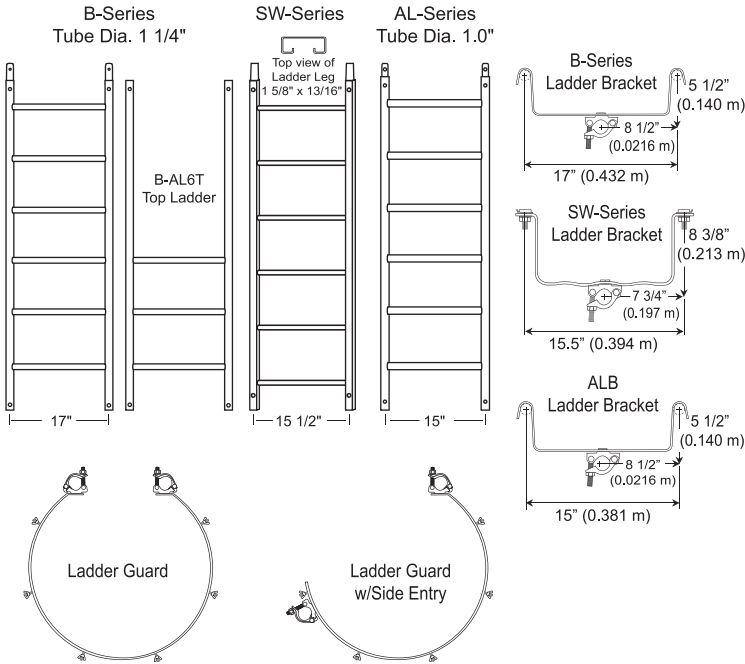
Part Number	PG System Description	Weight (lbs.)
PGSP	Starter Post	5.0
PGE28	28" End Access Panel	15.0
PGE3	3' End Access Panel	17.0
PGE4	4' End Access Panel	20.0
PGE5	5' End Access Panel	22.0
PGS5	5' Side Panel	22.0
PGS6	6' Side Panel	25.0
PGS66	6' 6" Side Panel	27.0
PGS7	7' Side Panel	28.0
PGS76	7' 6" Side Panel	30.0
PGS8	8' Side Panel	31.0
PGS10	10' Side Panel	39.0



Part Number	Description	Weight (lbs.)
(**)-WEG	Walk Thru End Guard	10.0
SBEGA	Side Bracket - End Guard Adjustable	15.0
GRG-CLA	Adjustable Guard Rail Gate w/ Clamps	22.0

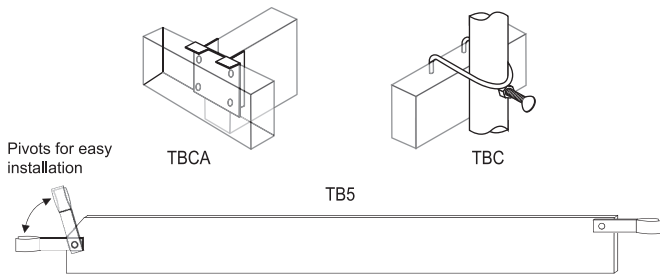
**Must Specify Frame Style

SCAFFOLD ACCESS



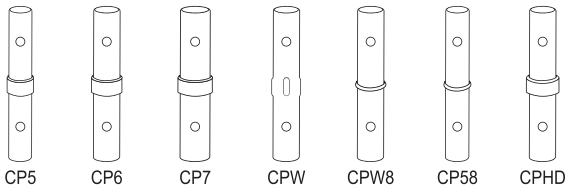
Part Number	Description	Weight (lbs.)
B-AL6	6' Access Ladder (B-Series)	21.0
B-AL6T	6' Top Ladder (B-Series)	19.0
B-AL5	5' Access Ladder (B-Series)	17.5
B-AL3	3' Access Ladder (B-Series)	10.0
SW-AL6	6' Access Ladder (SW-Series)	17.5
SW-AL3	3' Access Ladder (SW-Series)	9.5
AL65	6' - 5" Access Ladder	23.0
AL6	6' Access Ladder	21.0
AL5	5' Access Ladder	16.0
AL4	4' Access Ladder	13.0
AL3	3' Access Ladder	10.0
B-ALB	Access Ladder Bracket (B-Series)	3.0
SW-ALB	Access Ladder Bracket (SW Series)	5.5
ALB	Access Ladder Bracket	3.0
LGC	Ladder Guard w/Clamps	
LGCSE	Ladder Guard w/Clamps Side Entry	

TOE BOARDS

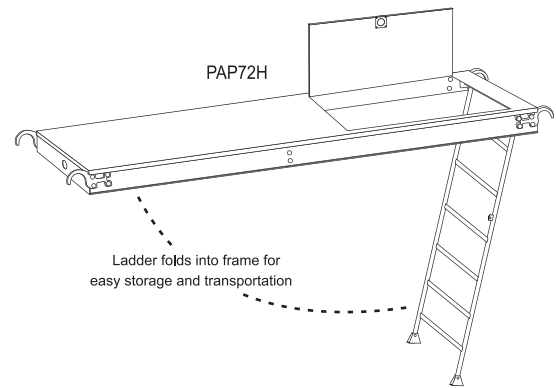


Part Number	Description	Weight (lbs.)
TB5	5' Toe Board (steel)	14.0
TB7	7' Toe Board (steel)	19.0
TB10	10' Toe Board (steel)	28.0
TBC	Toe Board Clip (for wood)	.05
TBCA	Corner Toe Board Adaptor (for wood)	.82

COUPLING PINS

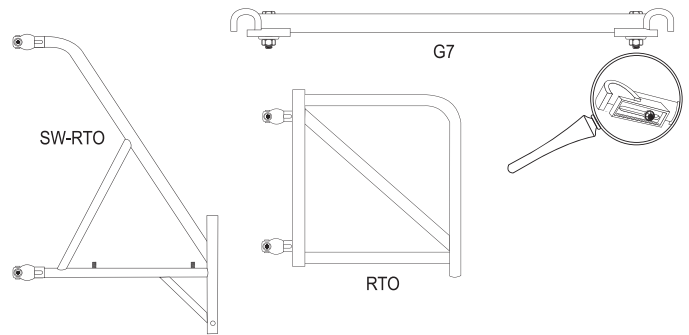


Part Number	Description	Weight (lbs.)
CP5	1 1/4" w/1" Collar	1.0
CP6	1 3/8" w/1" Collar	1.0
CP7	1 7/16" w 1" Collar	1.0
CPW	1 1/4" w/ Collar	1.0
CPW8	1 5/16" w/ 1/8" Collar	1.0
CP58	1 1/4" w/ 1/8" Collar	1.0
CP68	1 3/8" w/ 1/8" Collar	1.0
CP78	1 7/16" w/1" Collar	1.0
CPHD	1 3/8" w/ Heavy Duty Collar	1.5



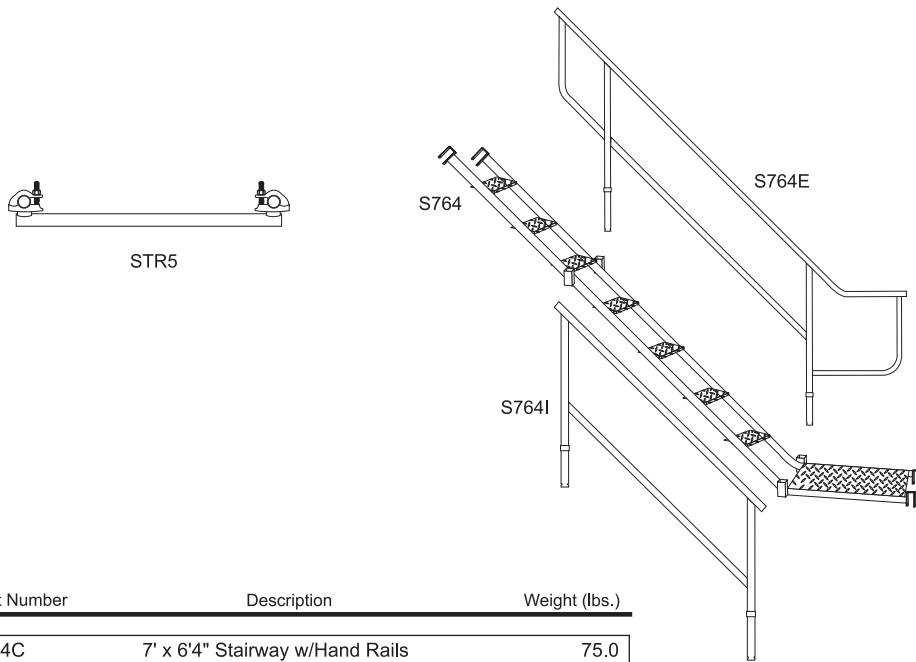
Part Number	Description	Weight (lbs.)
PAPER72H	28" x 7' Alum/Ply Deck Top Hatch w/ 6' Ladder	68.0

GOOSERS / ROLLING TOWER OUTRIGGERS



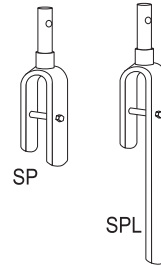
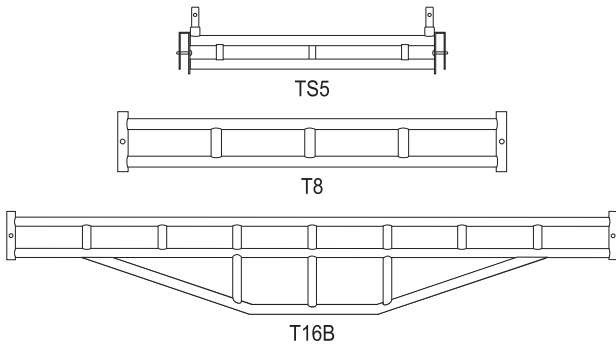
Part Number	Description	Weight (lbs.)
G3	3' Gooser	6.0
G5	5' Gooser	9.5
G7	7' Gooser	12.0
G10	10' Gooser	19.0
G10H	10' Gooser (Heavy Duty)	20.0
G75	7' x 5' Gooser	13.5
G105	10' x 5' Gooser	20.0
G105H	10' x 5' Gooser (Heavy Duty)	21.0
SW-RTO	Rolling Tower Outrigger	9.5
RTO	SW Rolling Tower Outrigger	20.0

STAIRWAYS

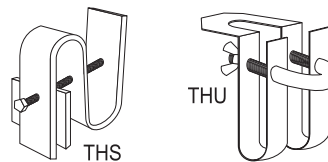


Part Number	Description	Weight (lbs.)
S764C	7' x 6'4" Stairway w/Hand Rails	75.0
S767C	7' x 6'7" Stairway w/Hand Rails	125.0
S764I	Interior Hand Rail	19.0
S764E	Exterior Hand Rail	31.0
STR5	5' Starter Bar	1.0

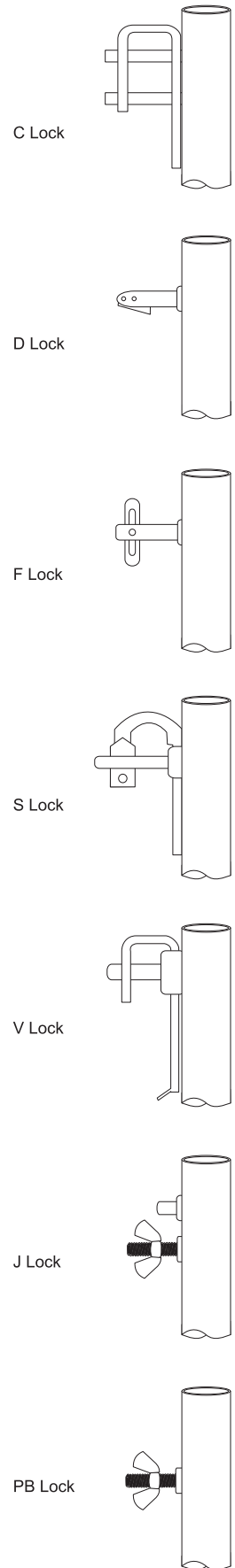
TRUSSES



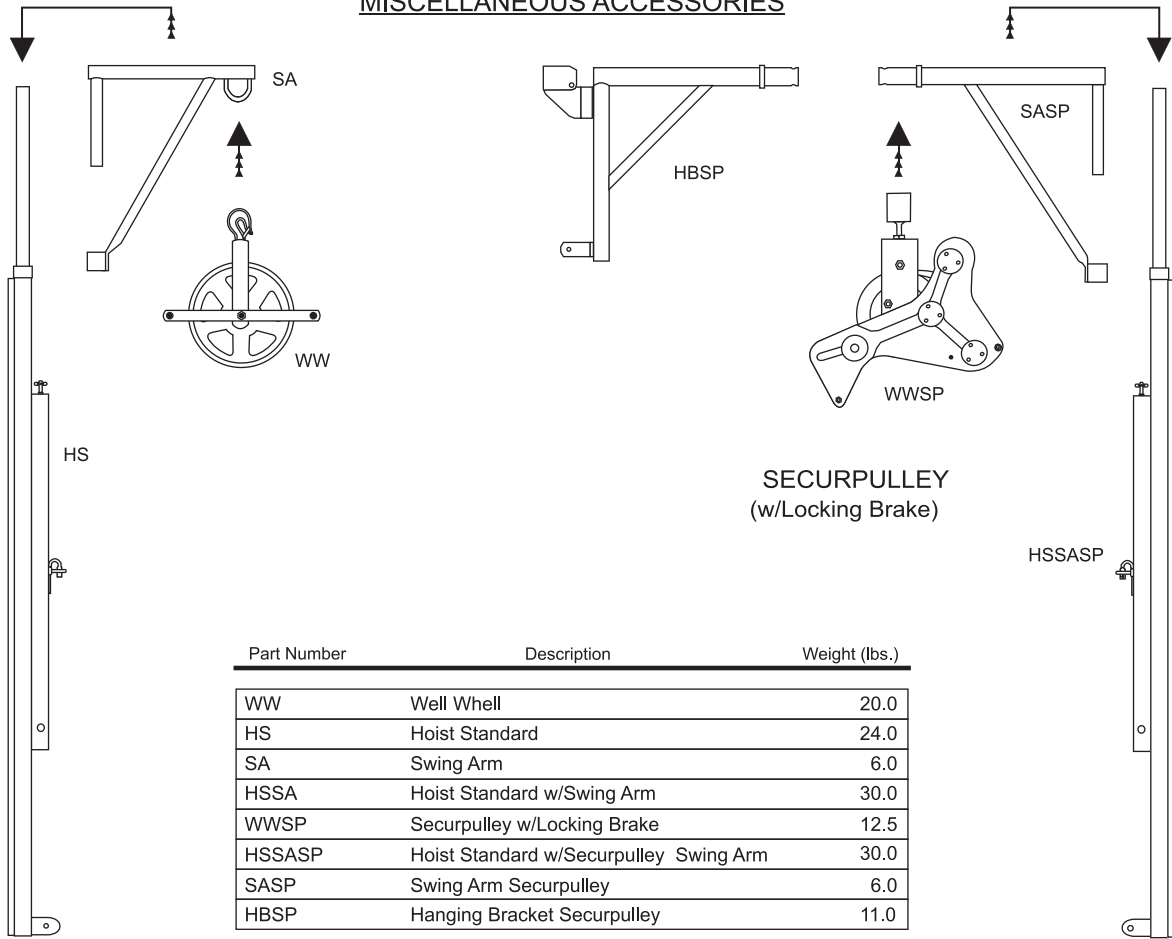
Part Number	Description	Weight (lbs.)
T8	8' Truss	27.0
T10	10' Truss	34.0
T12	12' Truss	39.0
T16B	16' Truss w/Belly	61.0
T20B	20' Truss w/Belly	76.0
T22B	22' Truss w/Belly	80.0
T24B	24' Truss w/Belly	87.0
THS	"S" Truss Hanger	5.0
THU	"U" Truss Hanger	5.0
TS5	Truss Spreader	9.5
SP	Saddle Pin	2.5
SPL	Saddle Pin w/Long Leg	3.0



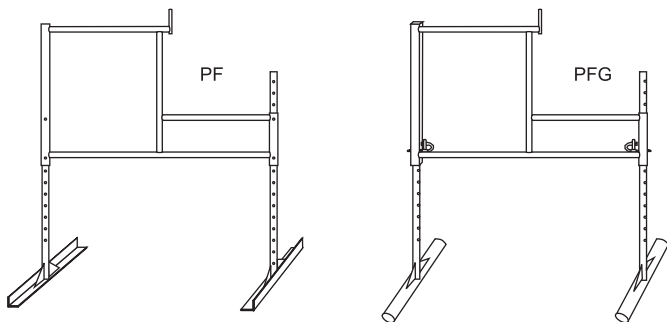
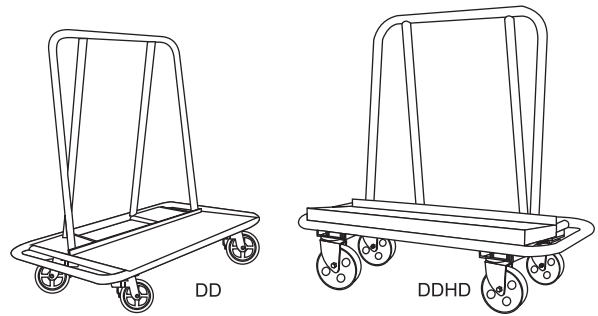
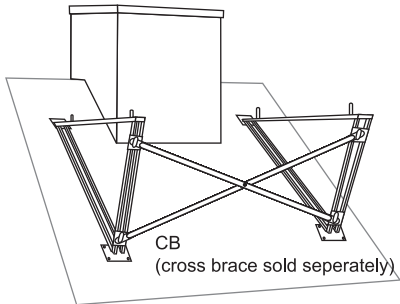
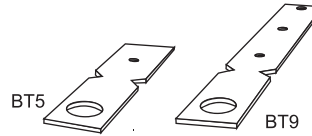
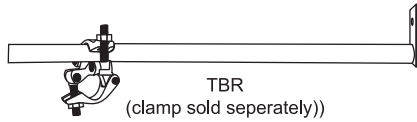
FRAME LOCKS



MISCELLANEOUS ACCESSORIES



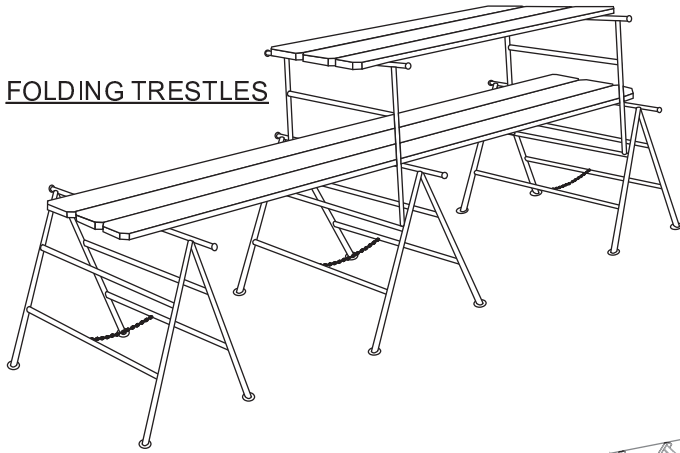
Part Number	Description	Weight (lbs.)
WW	Well Wheel	20.0
HS	Hoist Standard	24.0
SA	Swing Arm	6.0
HSSA	Hoist Standard w/Swing Arm	30.0
WWSP	Securipulley w/Locking Brake	12.5
HSSASP	Hoist Standard w/Securipulley Swing Arm	30.0
SASP	Swing Arm Securipulley	6.0
HBSP	Hanging Bracket Securipulley	11.0



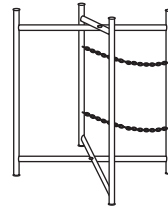
Part Number	Description	Weight (lbs.)
TBR	Tie Bar (clamp sold separately)	9.0
BT5	Break-Off Tie 5"	.5
BT9	Break-Off Tie 9"	.75
CB	Chimney Bracket (cross brace sold separately)	90.0
DD	Dry Wall Dolly	90.0
DDHD	Dry Wall Dolly Heavy Duty	110.0
PF	Pedestal Frame	37.0
PFG	Pedestal Frame G-Style	45.0

MISCELLANEOUS ACCESSORIES

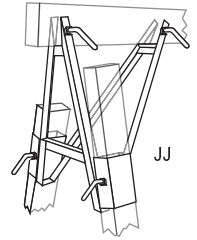
FOLDING TRESTLES



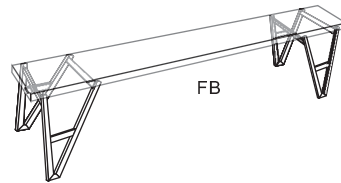
MORTAR BOARD STANDS



MB3

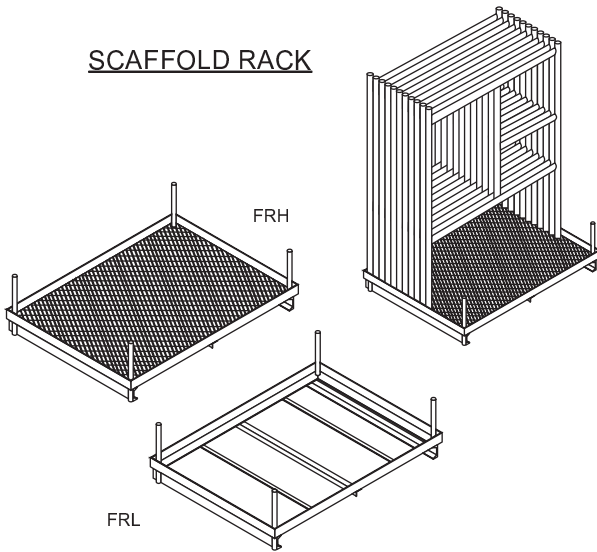


JJ



FB

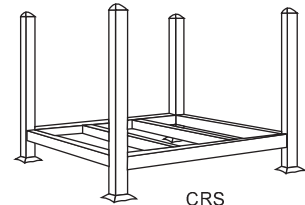
SCAFFOLD RACK



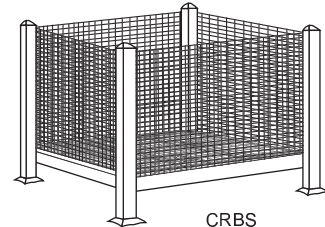
FRH

FRL

CUP RACKS



CRS



CRBS

Part Number	Description	Weight (lbs.)
FT2	2' Folding Trestle	15.0
FT3	3' Folding Trestle	21.0
FT4	4' Folding Trestle	25.0
FT6	6' Folding Trestle	37.0
FTE2	2' Folding Trestle Extension	12.0
FTE3	3' Folding Trestle Extension	14.0
MFT4	4' Masonry Folding Trestle Extension	43.4
FRH	Frame Rack (Heavy Duty)	189.0
FRL	Frame Rack (Light Duty)	43.3

Part Number	Description	Weight (lbs.)
MB2	20" x 30" Mortar Board Stand	15.0
MB3	36" x 30" Mortar Board Stand	16.0
MB4	48" x 30" Mortar Board Stand	20.0
MB5	60" x 30" Mortar Board Stand	26.4
JJ	Jiffy Jack (pair)	26.0
FB	Flat Back (various sizes and heights)	
CRS	Cup Rack	116.0
CRBS	Cup Rack w/Basket	196.0